



TILTED LOG BANDSAW

SPEED

FLEXIBILITY

HEAVY DUTY

PRECISION

Carriage: pneumatic or hydraulic version

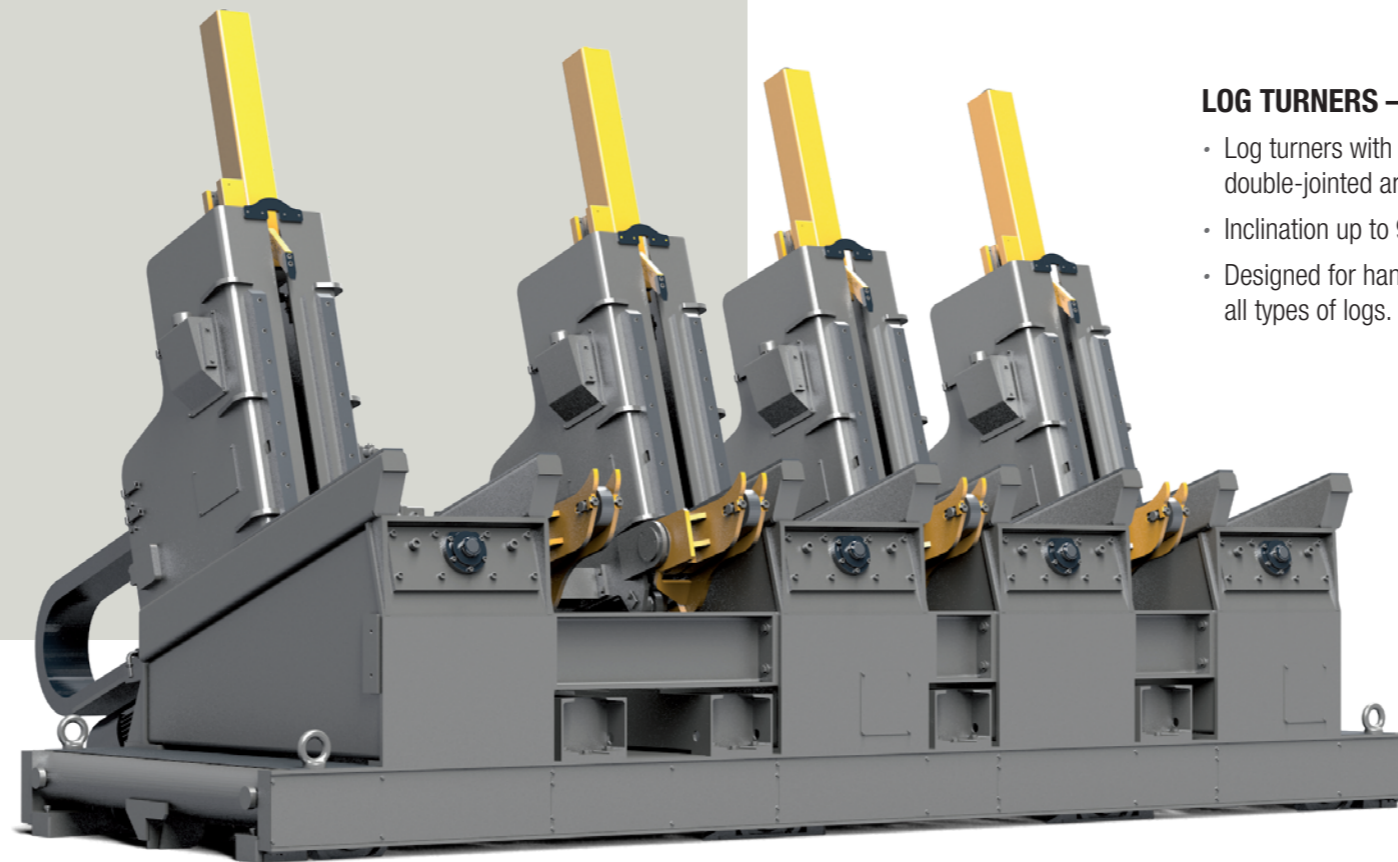
Opening: 1060 or 1260 mm

**Tilted Headrig 17° in cast iron
Flywheel Ø 1600 mm or Ø 1800 mm**

**Slab chipper: cast iron head
with 9 or 12 chipping step knives**

TILTED LOG CARRIAGE SPIDER

The tilted log carriage Spider is designed for cutting hardwood and coniferous timber. It saves time on loading. Ball screws technology used on independent headblocks brings sawing rapidity, precision and smoothness in the cutting process.



LOG TURNERS – FLIPPERS

- Log turners with two independent double-jointed arms.
- Inclination up to 90°.
- Designed for handling all types of logs.



REPLACEABLE STRIPS

- In case of wear.

CLAMPS POSITION

- Pneumatic version, 4 positions : 17/47/137/167 mm.
- Hydraulic version : 17 to 167 mm.

REMOVABLE TIPS

- Treated steel.

CENTRALIZED AND AUTOMATIC LUBRICATION

- Ball screws and clamps.

DOUBLE ROUND SLIDES

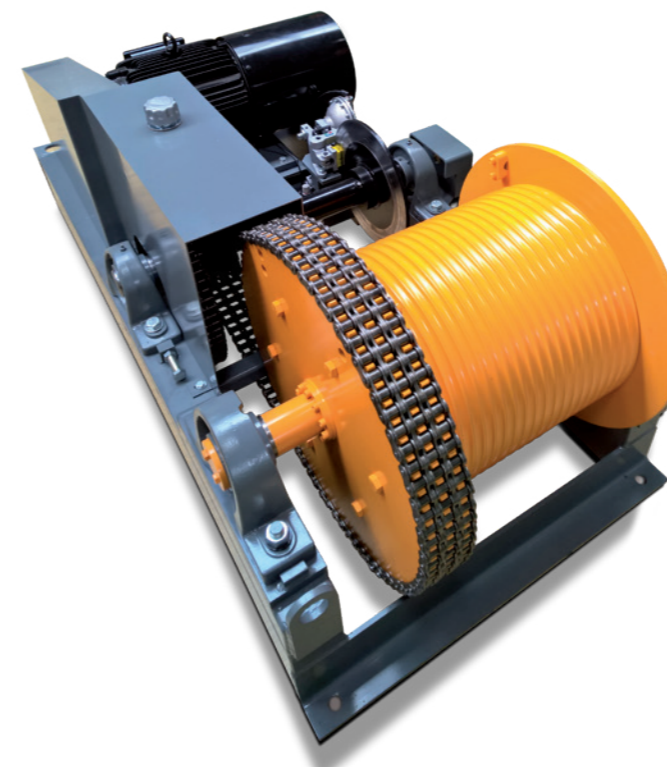
- Oil bath lubrication of the moving system allows drive speeds (up to 1 meter/second).

CABLE WINCH bi-directional

- Induction motor 60 or 80 HP,
- Variator with energy recovery, restoration of energy to the power supply.
- Drum Ø 565 mm.
- Emergency brake. Centralized lubricator.
- Deliver up to 150% of rated power on acceleration and deceleration.
- Electronic monitoring.

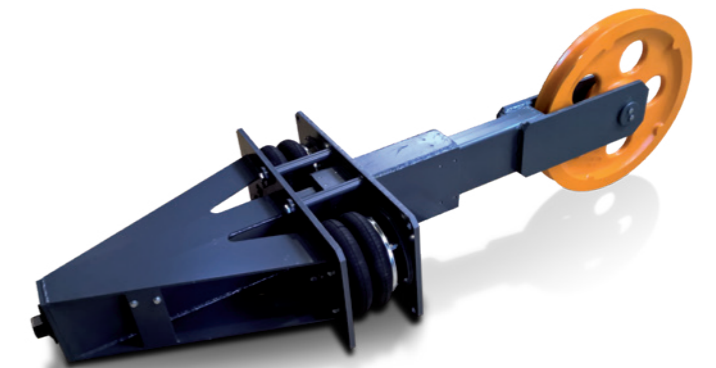


SHOCK ABSORBERS BRENTA



ADJUSTABLE « T »

- Fitted on the side of the headblock slide.
- Used in combination with a pre-edger for logs.



POSITIONING CARRIAGE WITH INDEPENDENT HEADBLOCKS

- Positioning by BALL SCREWS in induction treated steel.

This technology from machine tool provides a greater sawing precision.

PNEUMATIC RETURN PULLEY

- Shock absorber improves steel cables life.
- Pulley Ø620mm in cast-iron.

TILTED HEADRIG BRENTA XBE

In single- or double-cut version, precision and sawing rectitude are great, even with high sawing speed.

STRUCTURE AND FLYWHEELS IN CAST IRON

- For high stability.
- Flywheels Ø 1600 mm or Ø 1800 mm.
- Right or left version.

HYDRAULIC FLYWHEEL TENSIONING

- Regulation and shock absorber system.

BLADE SAFETY PROTECTOR

- According with safety standards C.E.

PRESSURE GUIDE BRENTA

- Hydraulic drive
- Mounted on removable and articulated support to avoid a damaging in the event of accidental shock.
- Mounted on slides and ball sliding blocks.

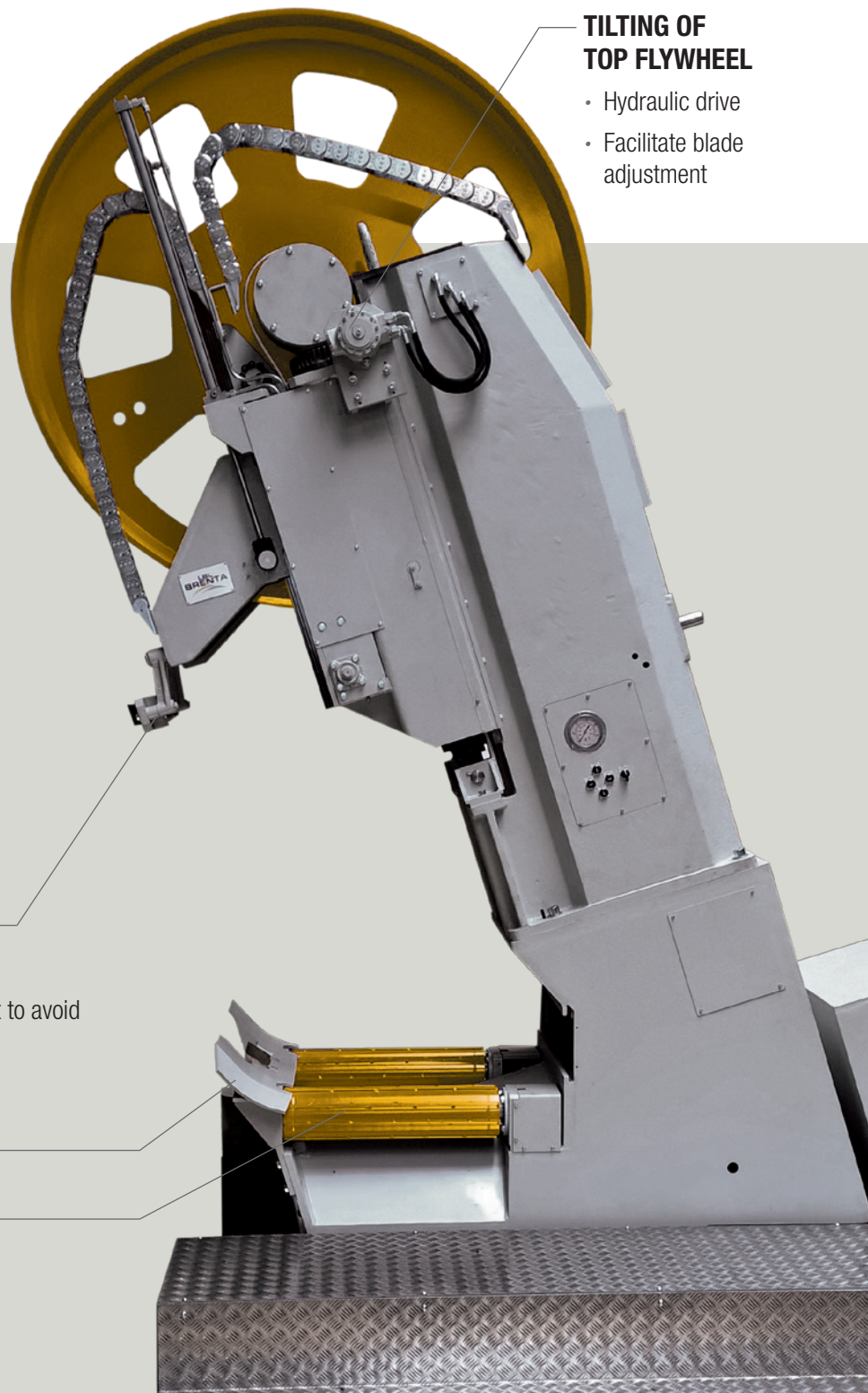
SCRAPERS AND SAWDUST DEFLECTOR

INTEGRATED ROLLERS

- On double-cut version.

TILTING OF TOP FLYWHEEL

- Hydraulic drive
- Facilitate blade adjustment



OPTIONAL EQUIPMENT

- Biodegradable oil spraying
- Deviation blade detector

AUTOMATIC LUBRICATION

- Reservoir for flywheels and blade.

EMERGENCY BRAKING

- By hydraulic control.

MOTORIZATION

- From 110 kW to 160 kW according to needs.

TILTED SLAB CHIPPER CT 700 - CT 900

The tilted slab chippers CT 700 and CT 900 are designed for processing hardwood and coniferous timber.

They offer a good sawn surface, good channeling of chips and a progressive cutting effort, even with important sawing speed.

The sawing capacity is increased by 15 to 20 %.



FAST AND PRECISE POSITIONING

By ball screw and servomotor, which pilotes and controls the position of the chipping head, in a closed loop.

- Sawing precision whatever log's effort.
- Speed up to 1 meter/second.

CAST-IRON FRAMEWORK

- For vibration absorption.

CENTRALIZED LUBRICATION

- Oil reservoir and sight gauge.

MOTORIZATION

- 90 kW to 132 kW according to needs.

HEAD 9 CHIPPING KNIVES OR 12 CHIPPING KNIVES*

- In cast iron graphit spheroidal of great resistance of wear.
- 9 chipping step knives easily removable.
- Circular ring blade offering good sawn surface finish.
- Left or right version.



CT 700 CT 900*

Maximum chipping depth =

150 mm 200 mm

Maximum opening face =

650 mm 850 mm

Large backstand or retracted head position =

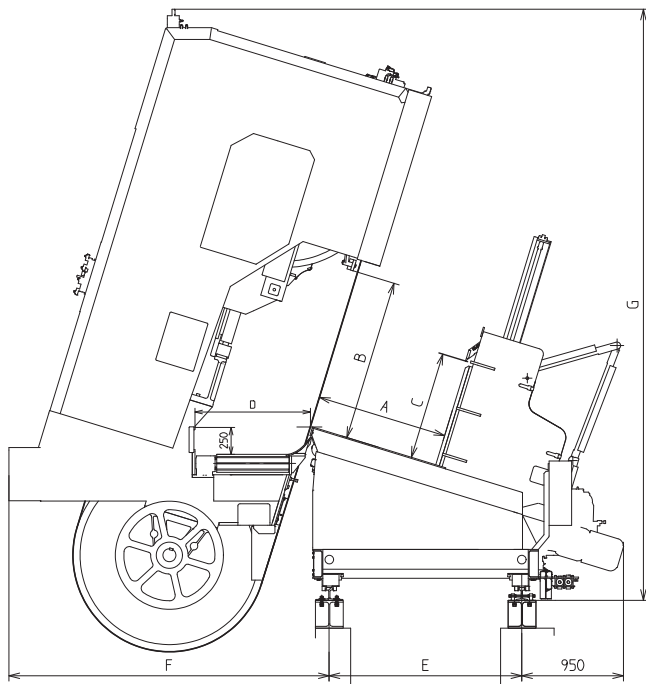
800 mm 900 mm

MECHANIZATION

MOTORIZED LOADING SYSTEM HARDWOOD



Motorized Loading system for Hardwood equipped with flighted chain and stoppers.



mm	SPIDER 1060 - XBE Ø160	SPIDER 1260 - XBE Ø180
A	1060	1260
B	1350	1500
C	800 ou 1000	1000
D	820	920
E	1600	1800
F	2580	3000
G	4820	5530

TILTED RETRACTABLE VERTICAL SAW AND PRE-EGDER



Installed before the headrig for pre-edging and cutting slabs and other products, thickness up to 150 mm.

