



**SPEED
PRECISION
STURDINESS
RELIABILITY**

HYDRAULIC CARRIAGES and CAST IRON HEADRIGS

- Flywheels : \varnothing 1600 or 1800 mm
- Opening : 1260 to 1660 mm
- Clamp opening : 1000 to 1400 mm

TROPICAL

Log Bandsaw TROPICAL

THE EXPERIENCE OF THE AFRICAN LOG BANDSAW

Designed for cutting all types of tropical logs, the SPIDER carriages and XBE headrigs are built in different models according to user requirements.



LOG TURNERS BRENTA TYPE «V»

- Easy handling of large log diameters



4 LOADING ARMS

- 4 loading flippers
- 2 half moon stoppers

CENTRALIZED AND AUTOMATIC LUBRICATION

- Of column, slides and clamps
- Oil reservoir and sight gauge

REPLACEABLE STRIPS

- In case of wear

SHOCK ABSORBERS BRENTA

- Protection in case of damage during loading

CAST IRON BRENTA HEADRIG

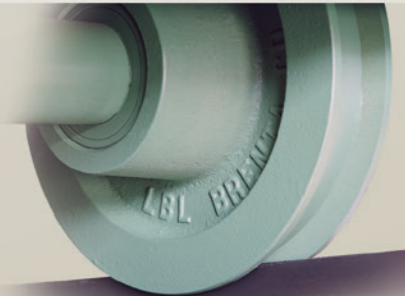
- Type XBE 160 or 180
- High stability
- No problem of blades
- Blade pressure guide
- High sawing precision

ROLLER BEARING MOVABLES SLIDES

- To avoid releasing the clamps on big logs when the carriage reverses in front of the saw
- BRENTA patented

BRENTA ROLLERS

- With great wear resistance cast-iron, mounted on reinforced axles



OPERATOR'S CONTROL PANEL

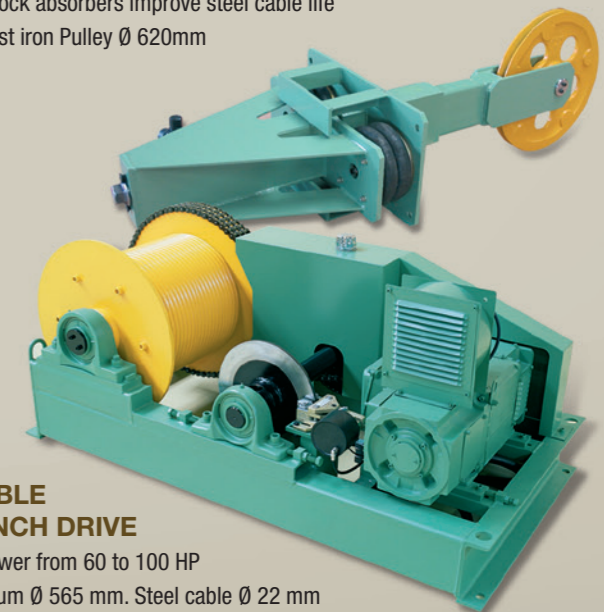
- Ergonomic control positions for maximum efficiency
- Movement control with joystick
- Adjustable seat.

ELECTRONIC NETWORK

- Touch screen
- Fast and User Friendly

PNEUMATIC RETURN PULLEY

- Shock absorbers improve steel cable life
- Cast iron Pulley Ø 620mm

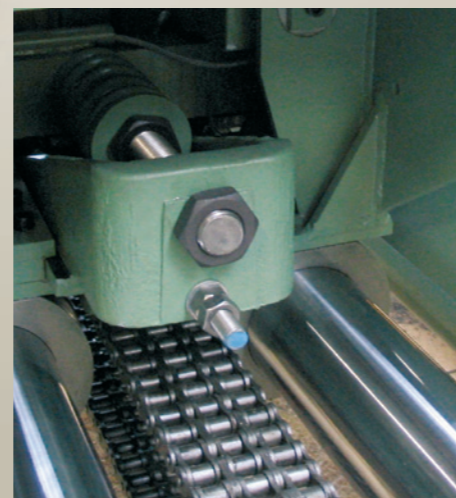


INDEPENDANT HYDRAULIC CLAMPS

- Allow logs alignment
- Recovery gain
- Removable tips, treated steel

DOUBLE ROUND SLIDES

- Hard chromed
- Oil bath lubrication of the moving system allows fast drive speeds
- Easy maintenance

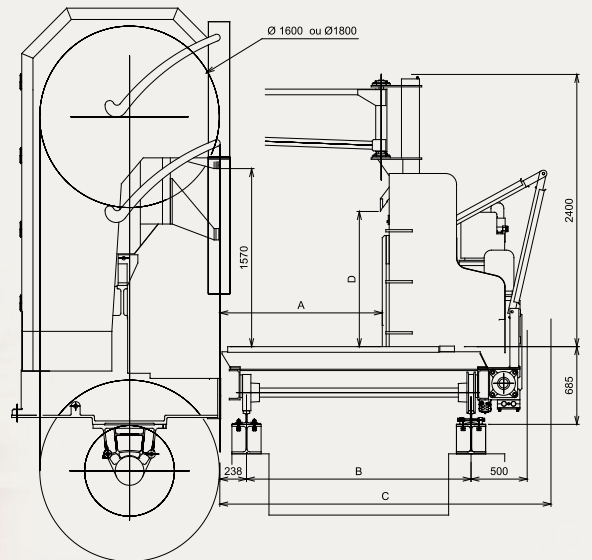
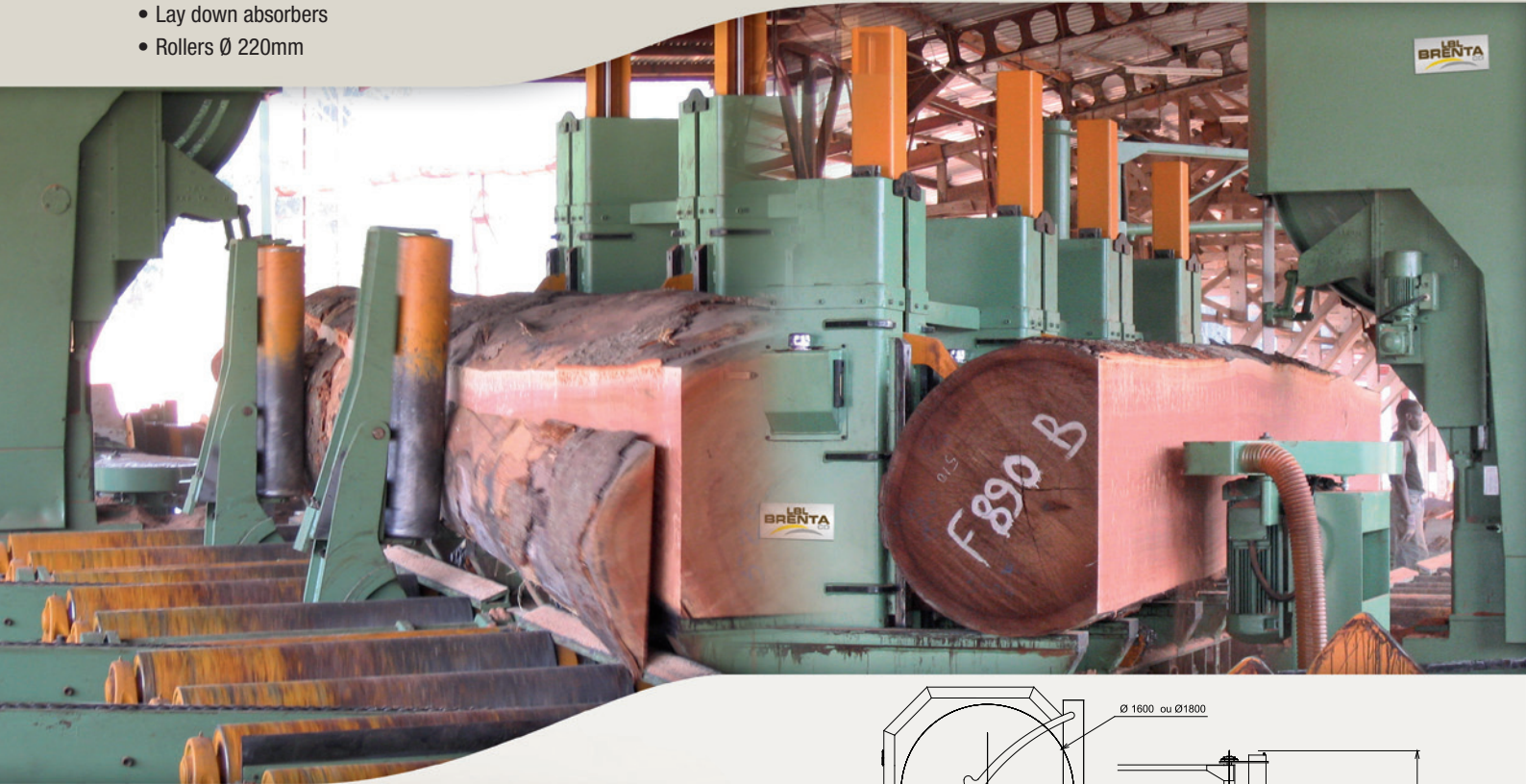


CABLE WINCH DRIVE

- Power from 60 to 100 HP
- Drum Ø 565 mm. Steel cable Ø 22 mm
- Emergency brake. Centralized lubrication
- Deliver up to 150% of rated power on acceleration and deceleration
- Electronic monitoring by interchangeable cards

MECANISATION

- Pre-edger
- Product pressure roller holder
- Lay down absorbers
- Rollers Ø 220mm



mm	SPIDER 1260	SPIDER 1460	SPIDER 1660
A	1260	1460	1660
B	1800	2000	2200
C	2640	2840	3040
D	1000	1000 ou 1200	1200 ou 1400

LBL BRENTA CD

19, avenue Jean Barraud
71170 CHAUFFAILLES - France

Tél. : +33 (0)3 85 26 00 73
Fax : +33 (0)3 85 84 63 79

contact@lbl-brenta-cd.com
www.lbl-brenta-cd.com

FOR YOUR PROJECTS, CONTACT US !
Sales department can help you,
to study all new system or modernization
of existing plants.